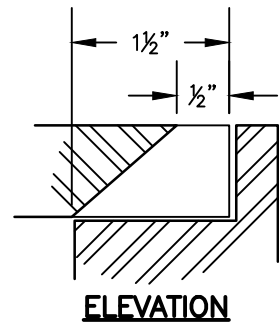
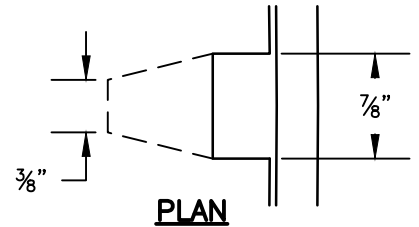


**PLAN SECTION**

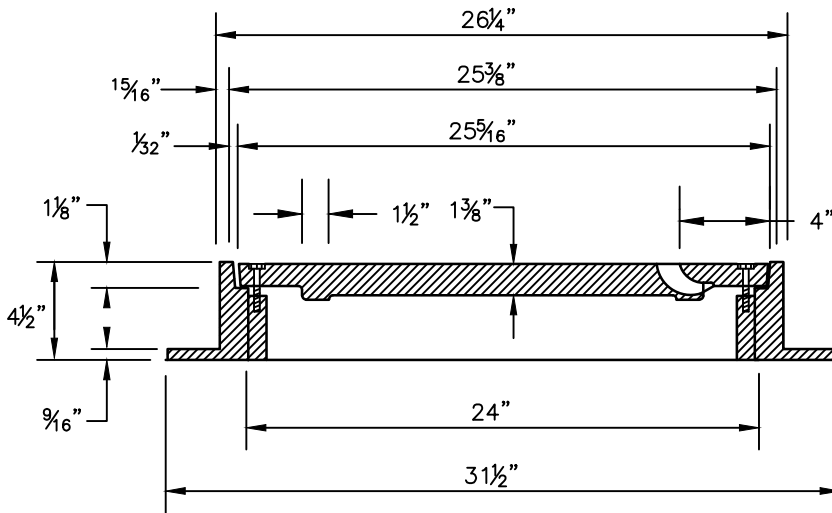


**ELEVATION**



**PLAN**

**PICK HOLE DETAIL**



**ELEVATION SECTION**

**NOTES:**

1. MINOR MODIFICATIONS IN ABOVE DIMENSIONS AND MANUFACTURING CONFIGURATIONS ARE PERMISSIBLE SUBJECT TO DISTRICT APPROVAL.
2. CAST IRON FOR FRAME AND COVER SHALL BE CLASS 30 MINIMUM AS PER ASTM A-48.
3. RAISED LETTERS 1/4" HIGH TO BE CAST IN CENTER OF MANHOLE COVER.
4. BEFORE LEAVING THE FOUNDRY, THE FRAME AND COVER SHALL BE PAINTED OR DIPPED IN ASPHALT PAINT.
5. MANHOLE FRAME AND COVER SHALL BE AS MANUFACTURED BY SOUTH BAY FOUNDRY OR APPROVED EQUAL.
6. FRAME AND COVER BEARING SURFACES SHALL BE MACHINED TO ASSURE CLOSE, QUIET FIT.
7. REFER TO: SOUTH BAY FOUNDRY SBF-1900 BS.

**NAPA SANITATION DISTRICT**



TITLE

**BOLT-DOWN 24"  
MANHOLE FRAME  
AND COVER**

DATE: MAY 2012

CHECKED BY: MW

APPROVED BY: TH

SCALE: NONE

DRAWING NO.

**SS-15**